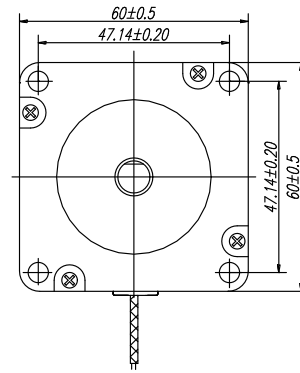
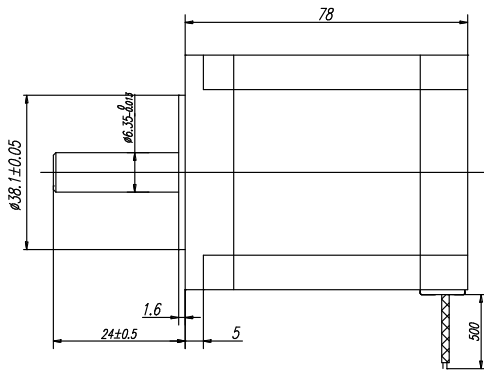


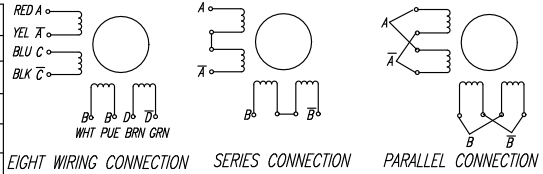
□ DIMENSIONS



□ SPECIFICATIONS unit=mm

CONNECTION WISE	EIGHT WIRING	SERIES CONNECTION	PARALLEL CONNECTION
PHASE	2 PHASE	2 PHASE	2 PHASE
STEP ANGLE	1.8±5% °/STEP	1.8±5% °/STEP	1.8±5% °/STEP
VOLTAGE	2.7 V	3.75 V	1.9 V
CURRENT	3.5 A/PHASE	2.5 A/PHASE	5.0 A/PHASE
RESISTANCE	0.76 ±10% Ω/PHASE	1.5 ±10% Ω/PHASE	0.38 ±10% Ω/PHASE
INDUCTANCE	1.65 ±20% mH/PHASE	6.6 ±20% mH/PHASE	1.65 ±20% mH/PHASE
HOLDING TORQUE	208 N.cm	260 N.cm	260 N.cm
INSULATION CLASS	B	B	B
LEAD STYLE	FF46-1/0.5	FF46-1/0.5	FF46-1/0.5
NO. OF LEADS	8	4	4

□ COLORS OF LEAD WIRES BIPOLAR & UNI-POLAR



60HS78DE076

SPECIFICATION

TAG	PLACE	CHANGE	NAME	DATE
DESIGN				
CHECK		APPROVE		
PROC.				

DESIGN MASS PLATE SCALE

NR PAGE